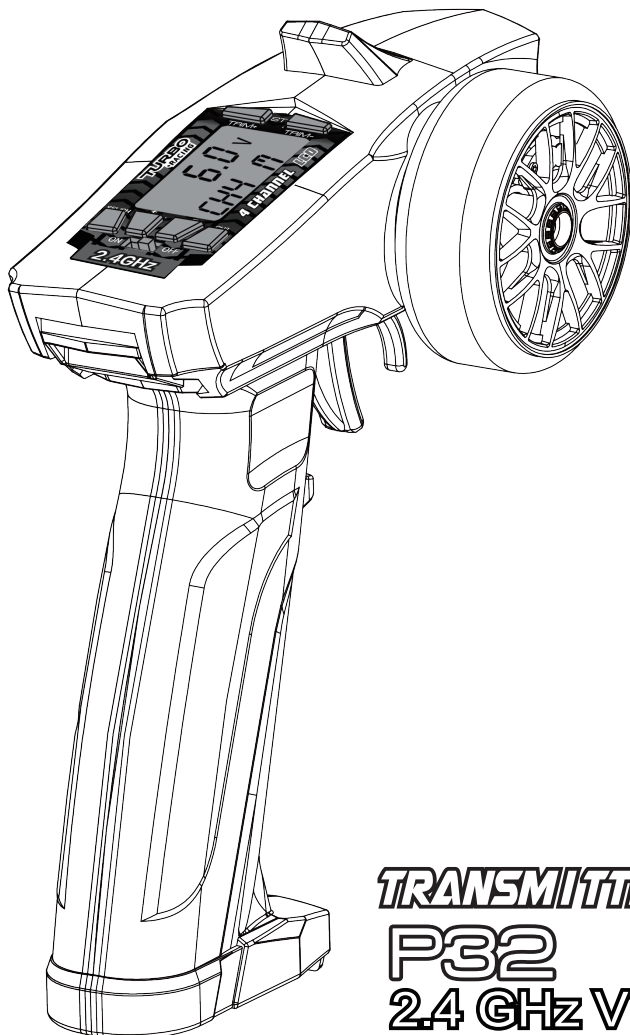


TURBO®
RACING

DIGITAL PROPORTIONAL RADIO CONTROL

INSTRUCTION MANUAL



TRANSMITTER KIT
P32
2.4 GHz VT-System

Introduction

Thank you for choosing our company's products! If this is your first time using this remote controller, please read this manual carefully before using it and operate it follow the instructions strictly. You can also check the manual if you encounter problems during the operation. Please keep the manual after use for future use. Thank you again for using our products and hope to bring you a new and interesting world.

Services

If you find any problems in using our products, please check the instructions for the first time. Or if you need our relevant information, you can contact us through our website:

www.turboracinghobby.com

Copyright NewStone Technology co.,ltd

RoHS **FC** **CE** 
MADE IN CHINA



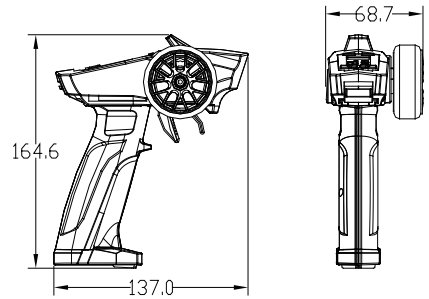
This safety warning must be strictly implemented. As company policy shall not be liable for any loss caused by failure to comply with the safety warning. Should you ignore the operating and safety instructions, the warranty will be void.

This product is not a toy, its operation must be learned step by step. And only suitable for people who over 14 years. Please do not let children operate the model, and be careful when have children on site when operating models.

RADIO SPECIFICATIONS

SPECIFICATIONS

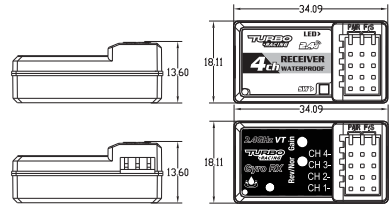
Model	TX	
Part #	P32	
Configuration	Pistol grip	
Frequency Band	2.4 GHz	
Channels	4CH	
Input voltage	AAA x4	
Dimensions	Length (mm)	137.00
	Height (mm)	164.60
	Width (mm)	68.70



RECEIVER SPECIFICATIONS

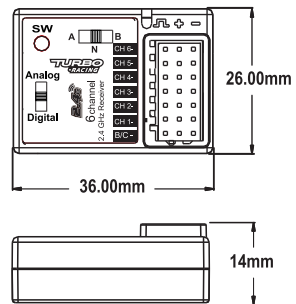
SPECIFICATIONS

Model	Receiver	Gyro RX
Part #	RX41	RX49
Channels	4CH	
Input voltage	4.8 - 10.0V	
Water-Resistant	Yes	
Dimensions	34.09 x 13.60 x 18.11 <i>Length x Height x Width (mm)</i>	

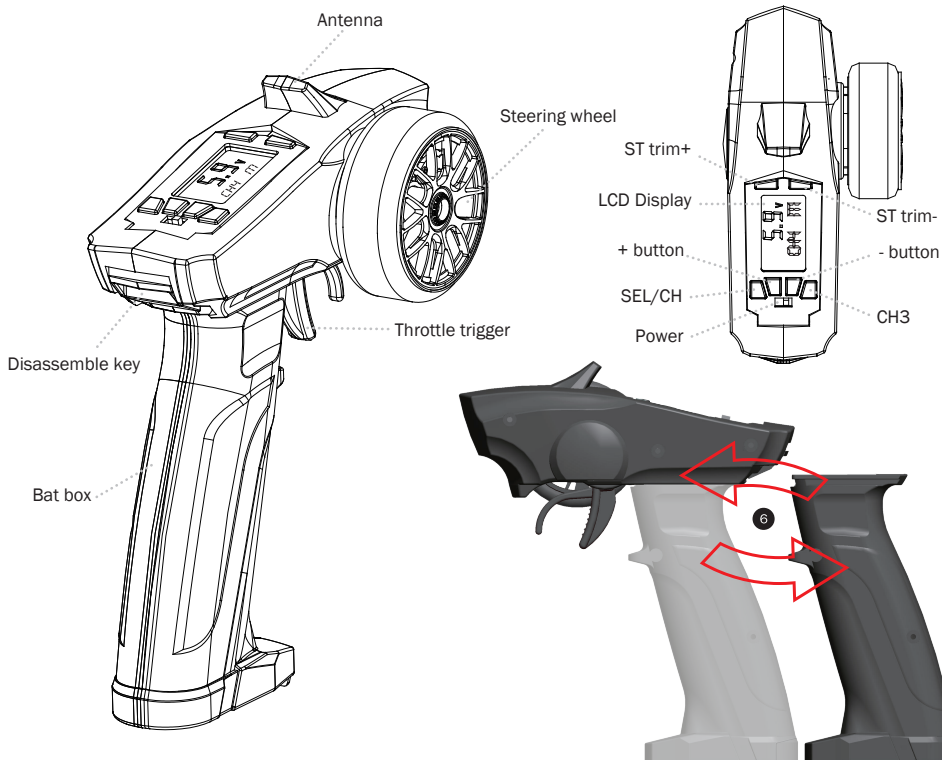


SPECIFICATIONS

Model	Receiver
Part #	RX47
Channels	6CH
Input voltage	4.8 - 10.0V
Water-Resistant	Yes
Dimensions	36x26x14mm <i>Length x Height x Width (mm)</i>

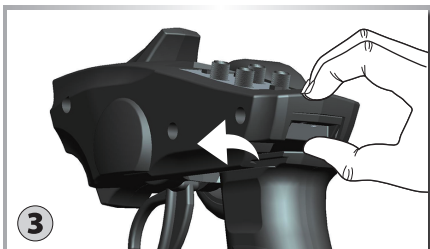
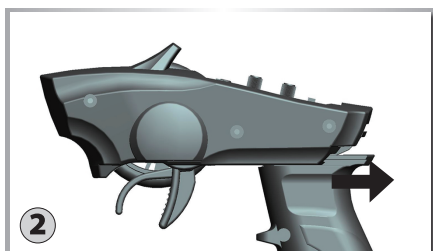
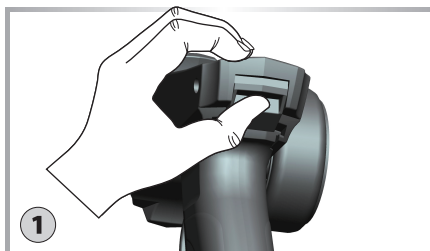


Functions LCD



Disassemble Handle & Install

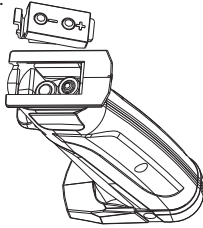
1. Press the button
2. take away the handle
3. press the button, install the handle



Battery Installation

Using the AAA batteries or NIMH batteries, when the voltage is lower than $4.5V \pm 0.2$, the buzzer sounds continuously, and the LED should start flashing.

1. Remove the battery cover from the transmitter.
2. Insert four new AAA batteries according to the polarity markings on the battery holder.
3. Reinstall the battery cover.



WARNING: DO NOT ATTEMPT TO CHARGE NON-RECHARGEABLE BATTERIES. YOU MAY CAUSE AN EXPLOSION.

Connection(RX41)

- Channel 1: Controlled by the wheel, connect to a servo for steering.
- Channel 2: Controlled by the trigger, connect to the ESC or a servo for throttle/brake.
- Channel 3: Controlled by the adjustment knob (0-100%) for optional use. This port can also be used to connect a transponder device used in racing.
- AUX (Channel 4): Controlled by button (ON/OFF) for optional use. This port is most commonly used for LED light kits. Use this port to connect an external battery for use with gas powered vehicles.

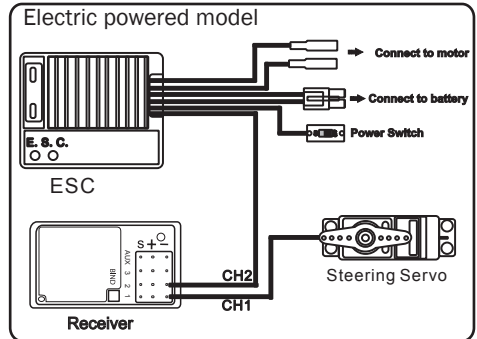
CAUTION: NEVER CONNECT A BATTERY WITH VOLTAGE HIGHER THAN 10.0V TO THE RECEIVER, DOING SO COULD DAMAGE THE ELECTRONICS.

Receiver Installation & Connection

Installation

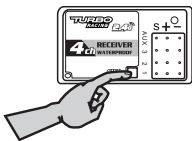
To achieve full operating range with your radio system it is critical that the receiver antenna be undamaged and installed properly. It should be installed with as much of the antenna as possible in a vertical position. The end of the antenna should be contained inside an antenna tube. When installing:

- Ensure there are no kinks in the antenna or antenna tube.
- Never fold the end of the antenna over the tube, this will reduce the operating range of the system and damage the antenna.
- Ensure the receiver is mounted securely or padded against hard impacts.

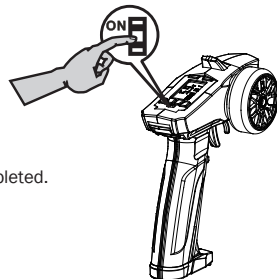


Pairing The Transmitter & Receiver(RX41)

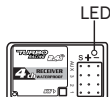
1. Turn on the receiver power. Press the SW switch. The receiver's LED should start flashing.



2. Turn on the transmitter.



3. When the LED on the receiver becomes solid, the binding process is completed.

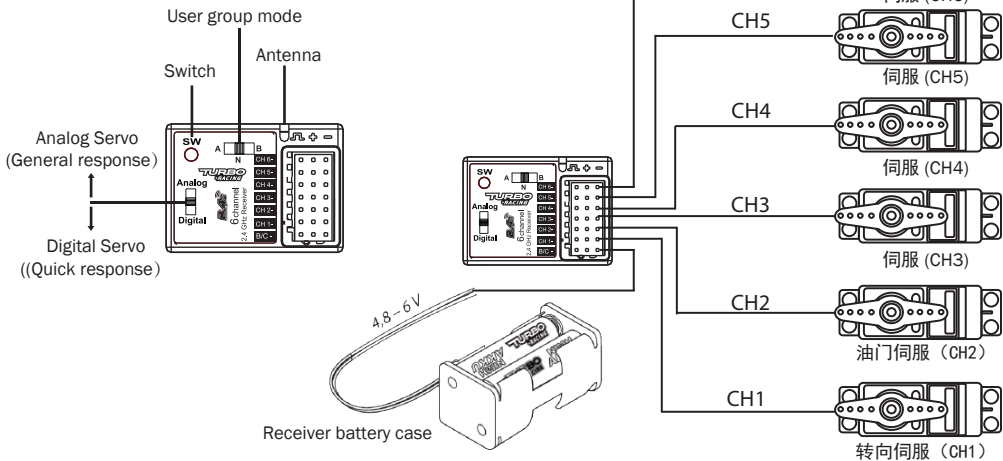


Note: Radio systems installer in RTRs have already been bound. Only when installing a new transmitter or receiver is the above process necessary

Connection(RX47)

User group mode A/N/B, factory default N mode.

We have added three user group modes with switch adjustment, but now this feature is only available for remote control with user group mode.



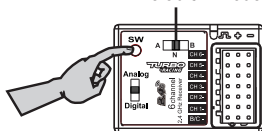
CAUTION: NEVER CONNECT A BATTERY WITH VOLTAGE HIGHER THAN 10.0V TO THE RECEIVER, DOING SO COULD DAMAGE THE ELECTRONICS.

Pairing The Transmitter & Receiver(RX47)

1. Turn on the receiver power. Press the SW switch. The receiver's LED should start flashing.

Tip: When pairing, user group mode defaults to N mode.

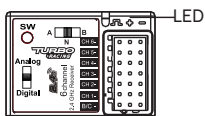
Default N mode



2. Turn on the transmitter.



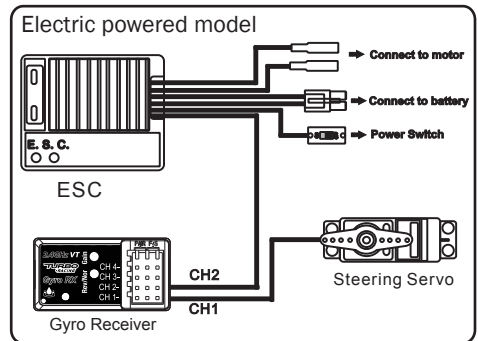
3. When the LED on the receiver becomes solid, the binding process is completed.



Note: Radio systems installer in RTRs have already been bound. Only when installing a new transmitter or receiver is the above process necessary

Connection(RX49)

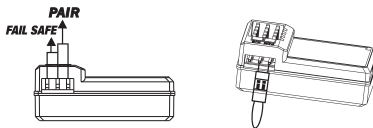
- Channel 1: Controlled by the wheel, connect to a servo for steering.
- Channel 2: Controlled by the trigger, connect to the ESC or a servo for throttle/brake.
- Channel 3: Controlled by the adjustment knob (0-100%) for optional use. This port can also be used to connect a transponder device used in racing.
- AUX (Channel 4): Controlled by button (ON/OFF) for optional use. This port is most commonly used for LED light kits. Use this port to connect an external battery for use with gas powered vehicles.



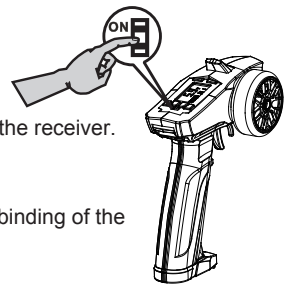
⚠ CAUTION: NEVER CONNECT A BATTERY WITH VOLTAGE HIGHER THAN 10.0V TO THE RECEIVER, DOING SO COULD DAMAGE THE ELECTRONICS.

Pairing The Transmitter & Receiver(Rx49)

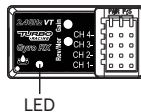
1. After connecting the receiver to a power source (receiver battery or ESC) and turning it on, connect the Bind connector to the "Pair" pins on the receiver. The LED on the receiver will flash rapidly.



2. Switch on the transmitter, and then remove the Bind connector from the receiver.



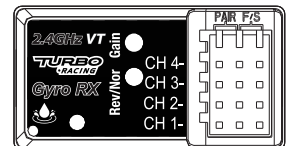
3. The LED on the receiver will now remain solid to indicate successful binding of the transmitter and receiver.



Note: Radio systems installed in RTRs have already been bound. Only when installing a new transmitter or receiver is the above process necessary.

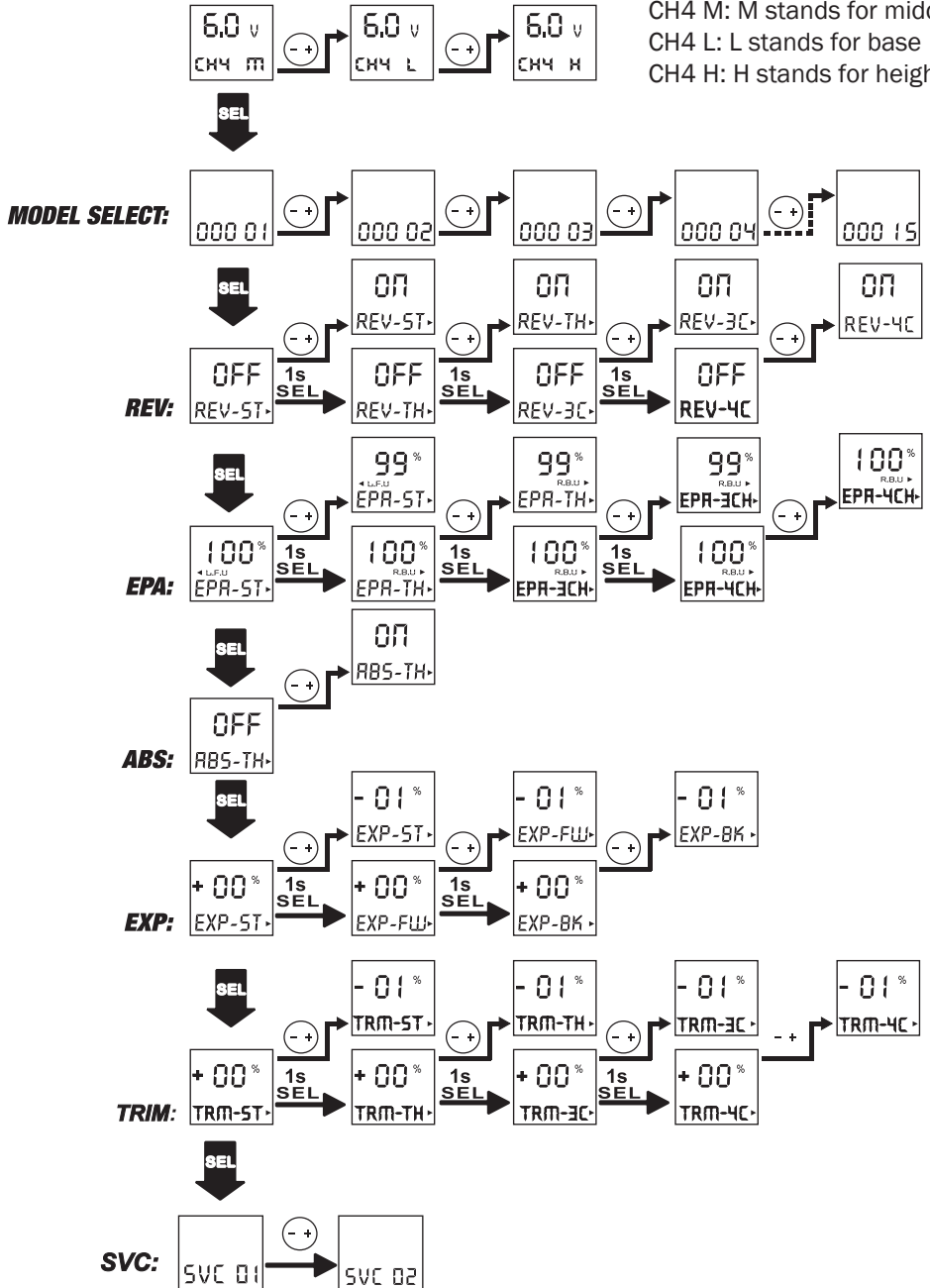
Gain - This setting adjusts the sensitivity and speed of the counter-steer effect and is adjustable in eight steps indicated by the number of flashes of the LED with 1 being the most sensitive and 7 the least sensitive. Setting 8 disables. A setting of 4 is set by default and is suitable for most applications and conditions. To change the setting, press and release the Gain button. The LED will flash to indicate the new setting. Continue this process until the desired setting is reached making sure to allow the LED sequence to finish before pressing the Gain button again.

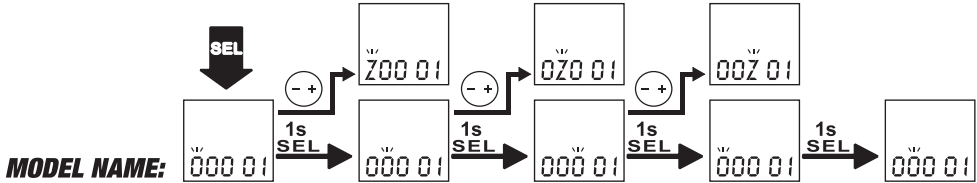
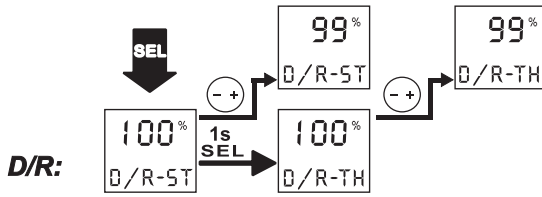
Rev/Nor - This setting changes the direction of 's counter-steer effect and is set at Normal by default. In all situations, should counter-steer (steer into the slide) automatically. But in rare cases, the direction setting must be reversed. To reverse the setting, press and hold the Nor/Rev button for 3-4 seconds until the LED flashes twice to indicate that the direction has been changed successfully.



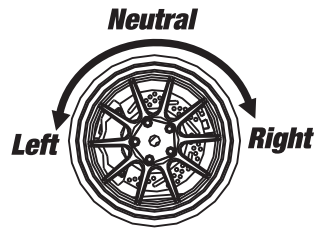
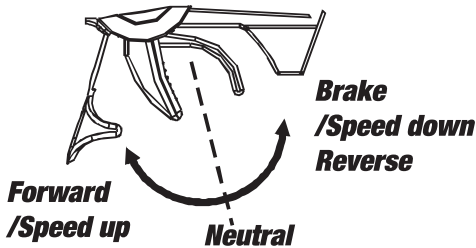
LED FUNCTION DISPLAY

CH4 M: M stands for middle
CH4 L: L stands for base
CH4 H: H stands for height





Operation



Fail safe function setting

Please turn on the TX, then pull the TH trigger anywhere you want to and hold it, press the SW button of the receiver about 2sec, the LED should start flashing for 5sec, then release SW button and TH trigger, turn off the TX.

Using Caution While Operating

- Do not operate the model or use the radio in the rain, in the presence of lightning, or at night.
- Do not operate the model or use the radio if you have been drinking alcohol or are under the influence of any other substance that will affect your skills.
- Always confirm that the radio has sufficient battery power before operating.
- Keep out of reach of children.
- Do not store the radio in temperatures below -10°C (14°F) or above 40°C (104°F) or in humid, dusty, or in high-vibration environments. Keep the radio away from direct sunlight.
- To prevent corrosion, remove the batteries from the radio if it will be stored for more than one week.

General Care

1. Always use clean, dry cloth or soft bristle brush to clean your equipment.
2. Never use chemical cleansers, as these could damage the sensitive electronics and plastics.

Packaging content

NO:	Model	Sum	Pemrks
1	4 channel 2.4GHz transmitter (P32)	1	
2	4 channel 2.4GHz receiver (RX41)	1	
3	Manual	1	
4	4 channel 2.4GHz Gyro receiver (RX49)	1	Optional
5	6 channel 2.4GHz receiver (RX47)	1	Optional